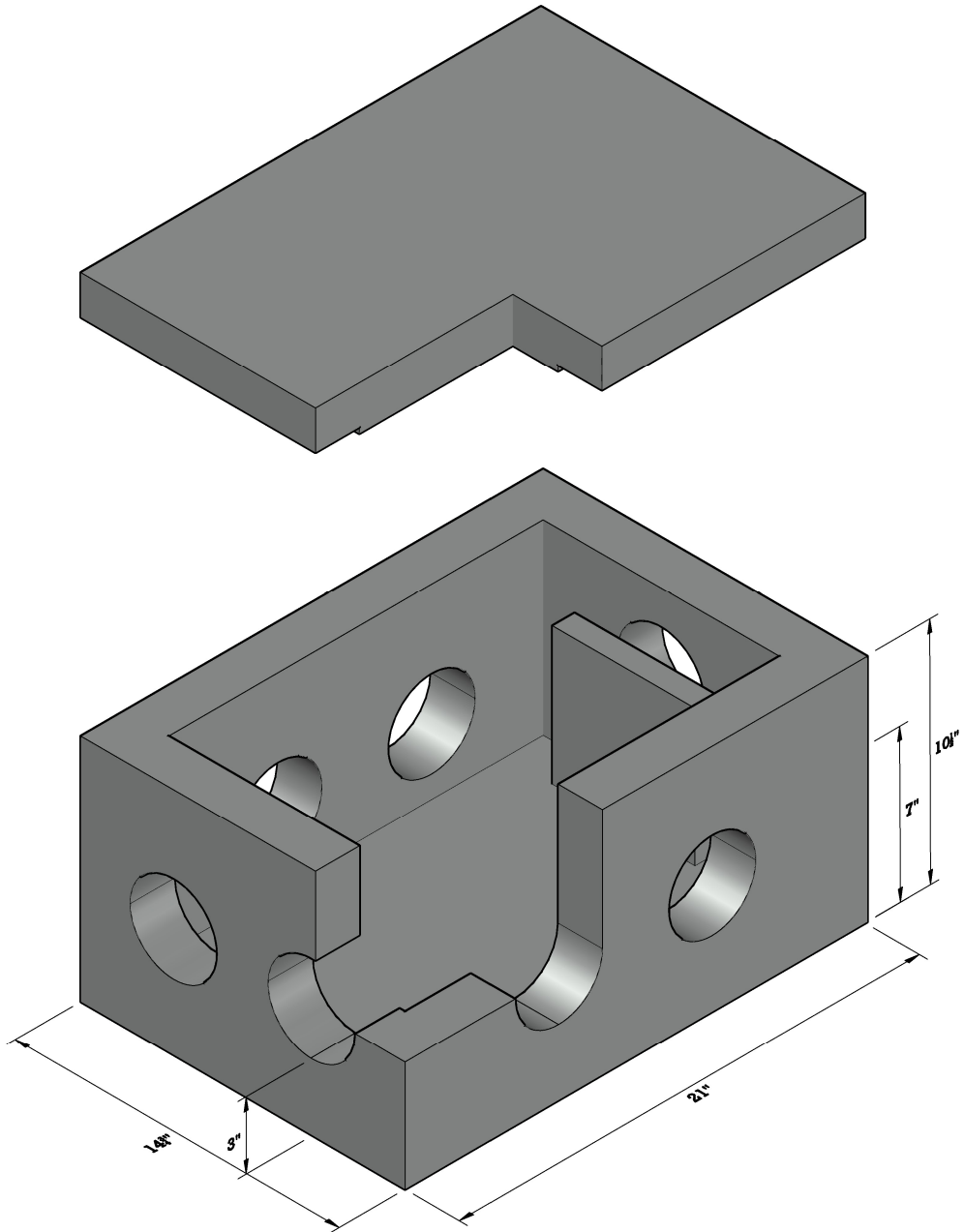


6 OUTLET DISTRIBUTION BOX



ISOMETRIC VIEW

	WEIGHT (LBS)	SPECIFICATIONS
	120	Concrete: 4000PSI @ 28 days
		Reinforcement: ASTM A615/A615M GRADE 60 ASTM A1064/A1064M-16B
		<ul style="list-style-type: none"> • The tank is a monolithic pour (no mid seams). • Top Slab is sealed with prostick mastic.
		<ul style="list-style-type: none"> • The tank is designed to meet HS 20-44 loading requirements.
		<ul style="list-style-type: none"> • Reinforced lid - has optional PA inspection port.
		<ul style="list-style-type: none"> • Reinforced risers are available. • 3 optional inlets and 1 outlet location.



Jamestown Macadam, Inc.
www.jamestownmacadam.com
 716-665-4504