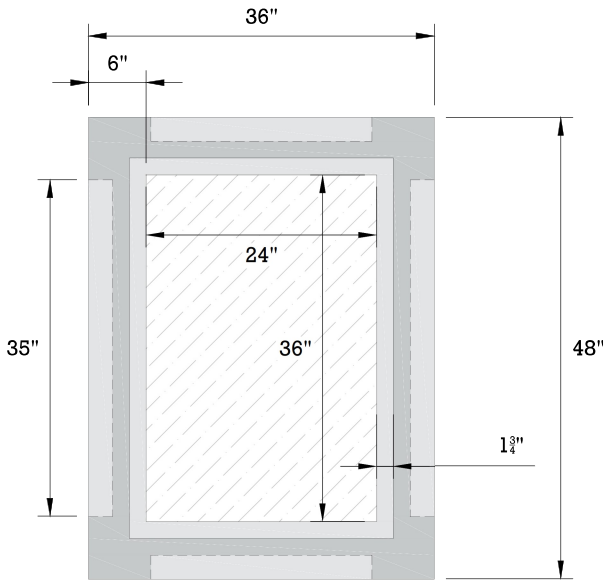
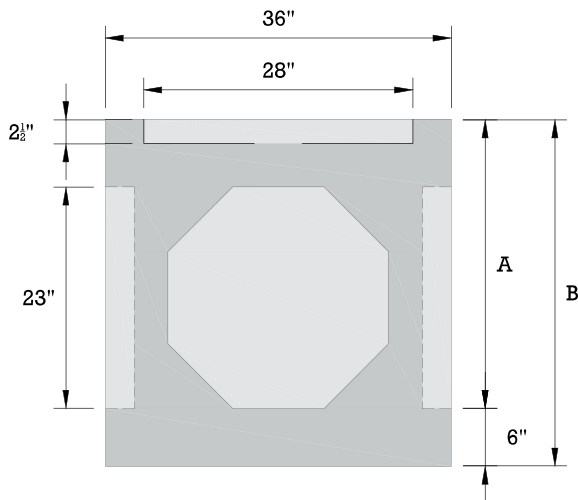


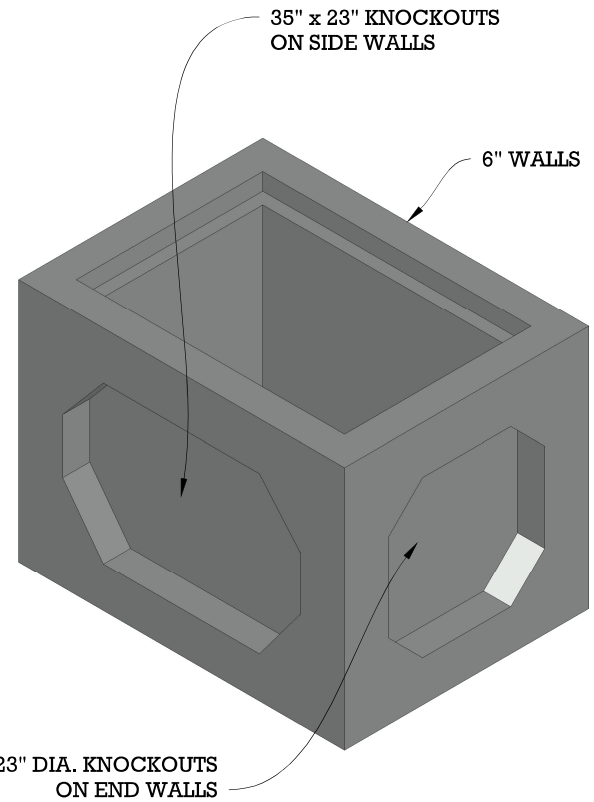
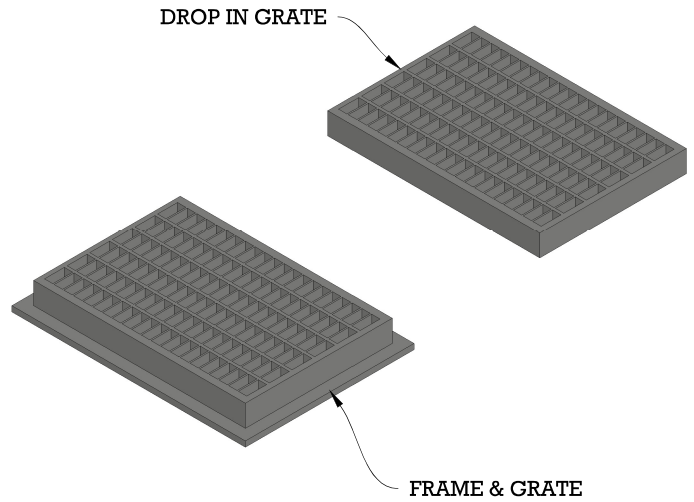
# CATCH BASIN 2X3



**TOP VIEW**



**SIDE VIEW**



**ISOMETRIC VIEW**

SIZE	A	B	WEIGHT (LBS)	SPECIFICATIONS	
2'x3'x3'	36"	42"	2,590	Concrete: 4000PSI @ 28 days	
2'x3'x4'	48"	54"	3,875	Reinforcement:	
				ASTM A615 GRADE 60	
				ASTM A185 GRADE 65	
				Structure is designed to meet HS 20-44 loading requirements	
				Frame and Grates Available; Heavy Duty & Bicycle Safe	
				Concrete Risers Available	

