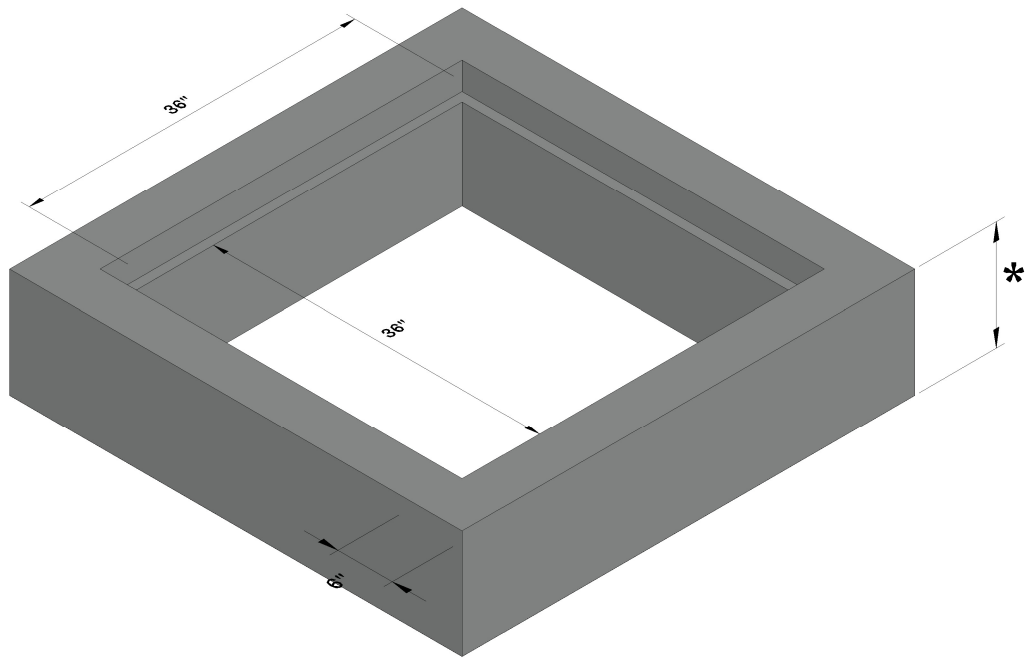
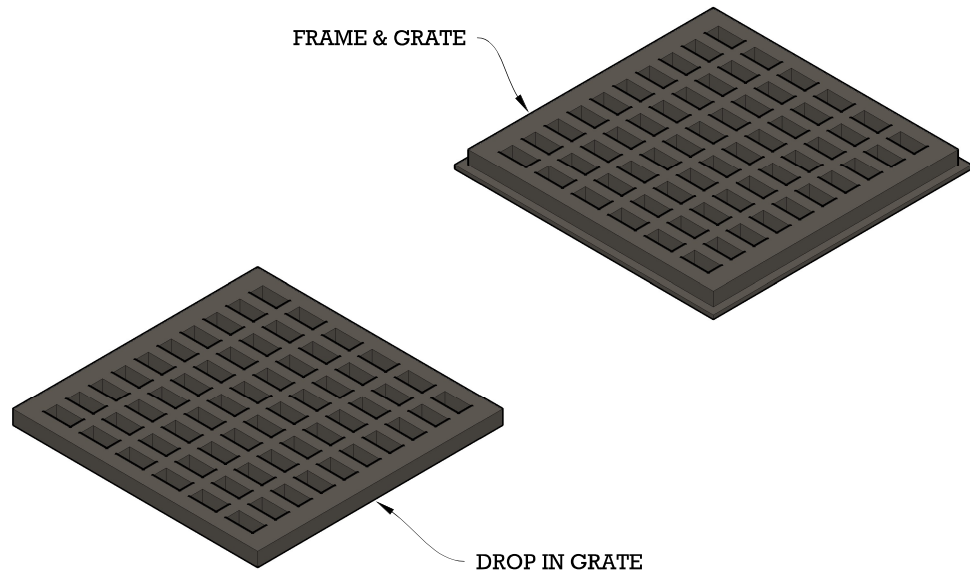


CATCH BASIN RISER 3X3



ISOMETRIC VIEW

* (Height)	Weight (LBS)	Specifications
6"	975	Concrete: 4000PSI @ 28 days
12"	1,275	Reinforcement: ASTM A615 GRADE 60 ASTM A185 GRADE 65
24"	1,950	
36"	2,590	Structure is designed to meet HS 20-44 loading requirements
48"	2,900	
		Frame and Grates Available; Heavy Duty & Bicycle Safe

