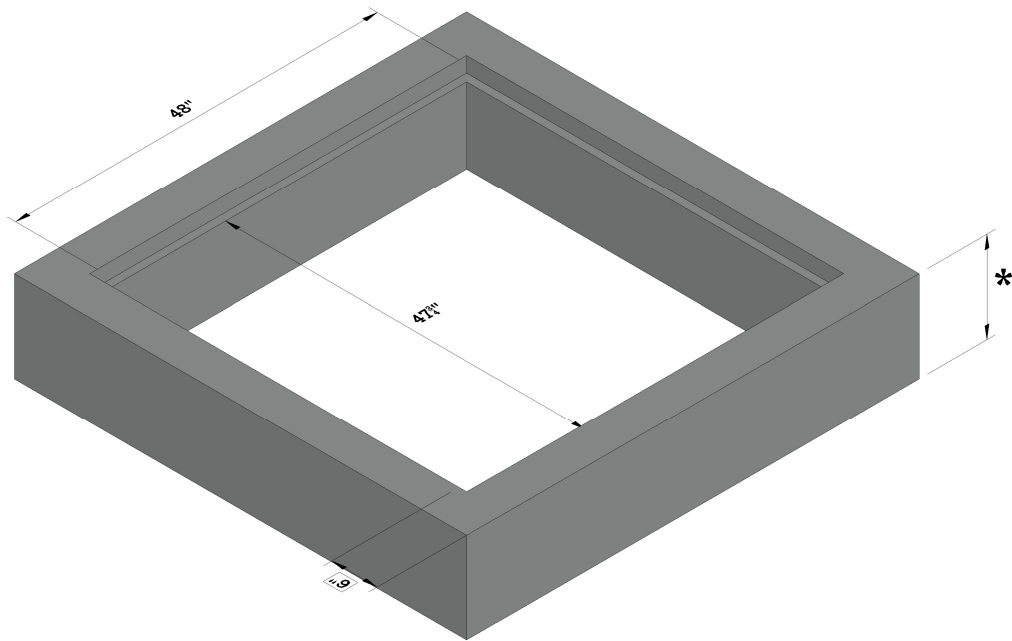
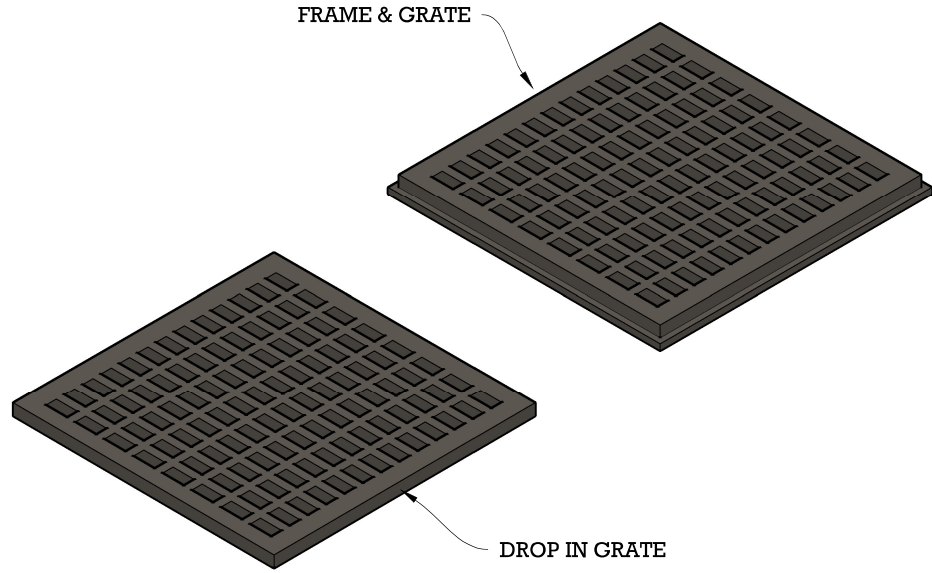


# CATCH BASIN RISER 4X4



**ISOMETRIC VIEW**

*			WEIGHT (LBS)	SPECIFICATIONS
12"			1,275	Concrete: 4000PSI @ 28 days
24"			2,550	Reinforcement:
36"			3,825	Bar ASTM A615 GR60
48"			5,100	WWR ASTM A185/A497 GR65
				Structure is designed to meet HS 20-44 loading requirements
				Frame and Grates Available; Heavy Duty & Bicycle Safe

**JMI**  
 Jamestown Macadam, Inc.  
[www.jamestownmacadam.com](http://www.jamestownmacadam.com)  
 716-665-4504