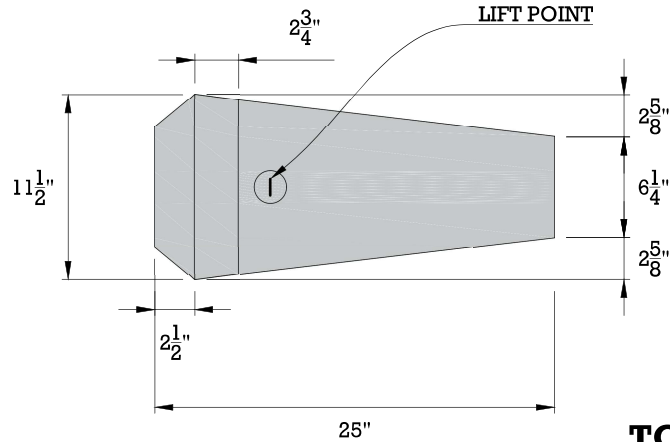
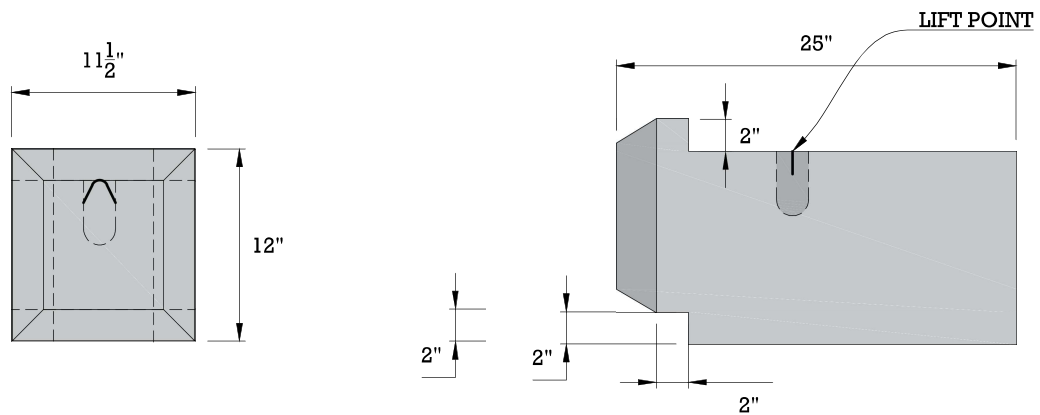


# LANDSCAPE BLOCK - HALF

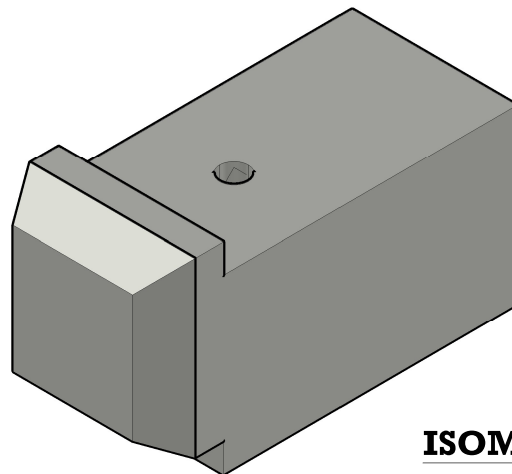


**TOP VIEW**



**FRONT VIEW**

**SIDE VIEW**



**ISOMETRIC VIEW**

**NOTES:**

**Weight: 105 Lbs.**

**ORIGINAL DESIGN AND DIMENSIONS BASED OFF OF WORLD BLOCK INC.  
ONE FACE TYPE AVAILABLE.**

