

RHODE ISLAND FULL BLOCK 60"

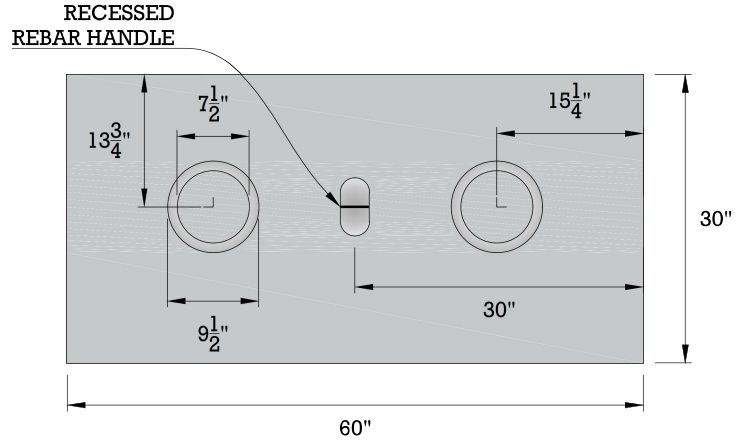


CHISELED STONE



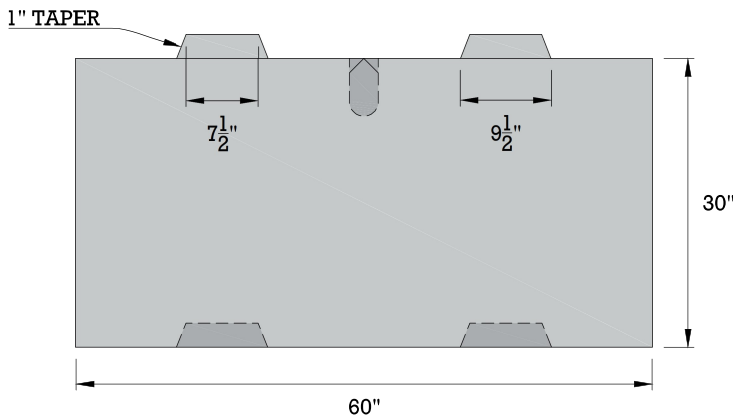
RANDOM STACK

* TWO FACE DESIGNS AVAILABLE

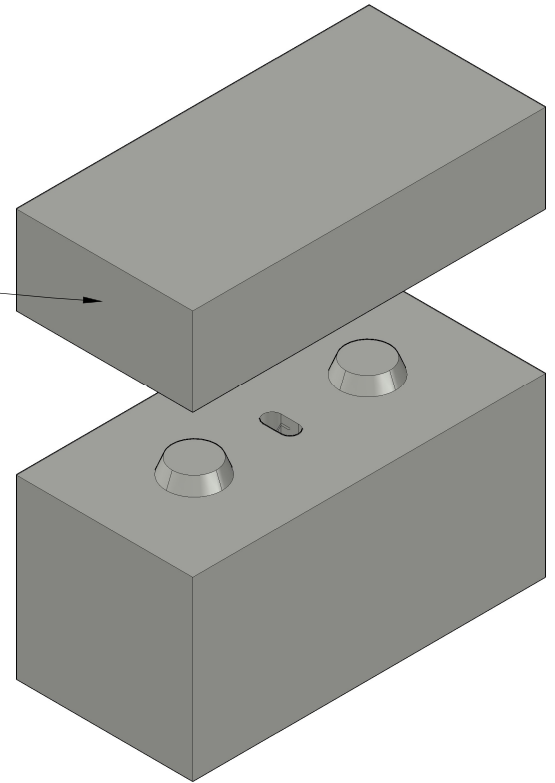


TOP VIEW

FULL CAP - 5' w x 15" h x 2.5' deep



SIDE VIEW



ISOMETRIC VIEW

NOTES:

Weight: 4,450 Lbs.

**ORIGINAL DESIGN AND DIMENSIONS BASED OFF OF WORLD BLOCK INC.
TWO FACE TYPES AVAILABLE: PLAIN & STONE**

