

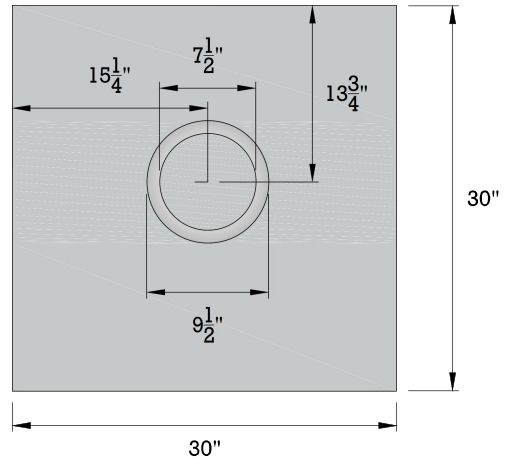
RHODE ISLAND HALF BLOCK 30"



CHISELED STONE



RANDOM STACK

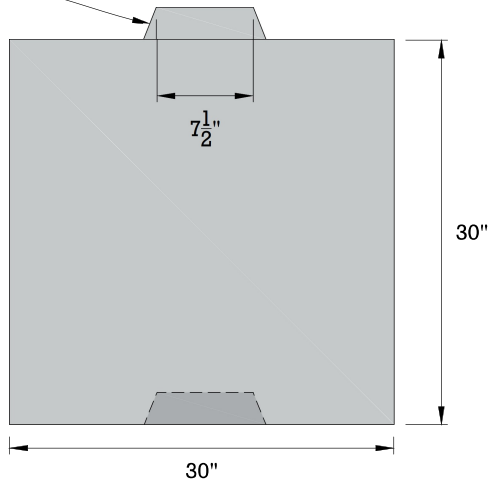


TOP VIEW

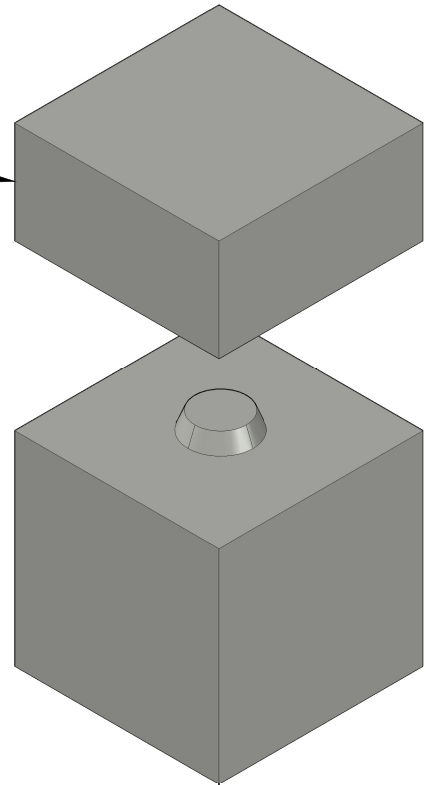
* TWO FACE DESIGNS AVAILABLE

HALF CAP - 2.5' w x 15" h x 2.5' deep

1" TAPER



SIDE VIEW



ISOMETRIC VIEW

NOTES:

Weight: 1,950 Lbs.

**ORIGINAL DESIGN AND DIMENSIONS BASED OFF OF WORLD BLOCK INC.
TWO FACE TYPES AVAILABLE: PLAIN & STONE**

