



Jamestown Macadam
Inc.
1029 Poland Center
Rd
Kennedy, N.Y. 14747
(716) 456-1619

PRECAST DESCRIPTION

2'x2'x2' CATCH BASIN

Specifications:

Concrete: 5,000 Psi @ 28 Days

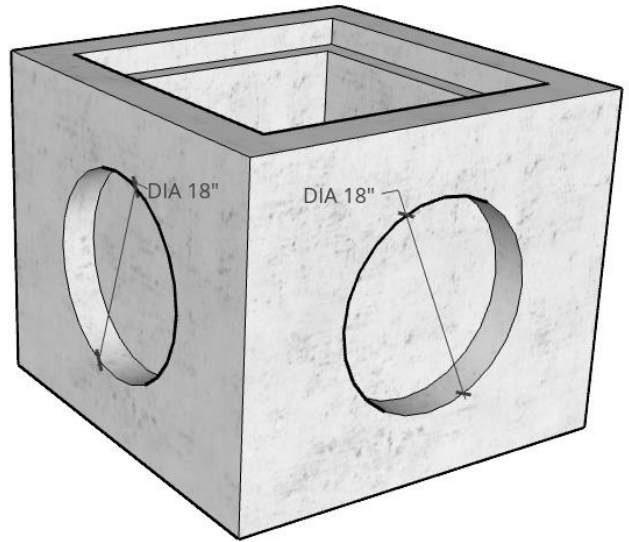
Air Entrainment: Target 7%

Steel Reinforcement: ASTM A615 Grade 60 KSI
ACI 318
WWR ASTM A185/A497 GR65

Fiber Reinforcement: ASTM C1609

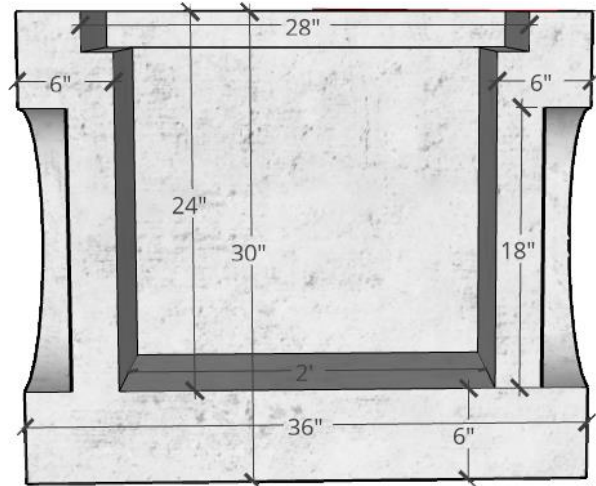
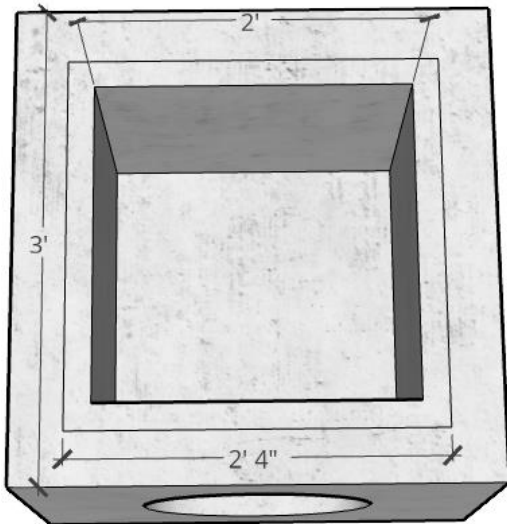
Design Loading: HS20 - 44
AASHTO Method of Design
Soil Pressure of 40 PCF

Water Table: TYP. 3' Below Finished Grade
Earthen Fill: up-to 30"



Weight:

2' x 2' x 2' w/18" Knockouts 1,275lbs



Frames and Grates available; Heavy Duty & Bicycle Safe

Grade adjustment Risers available